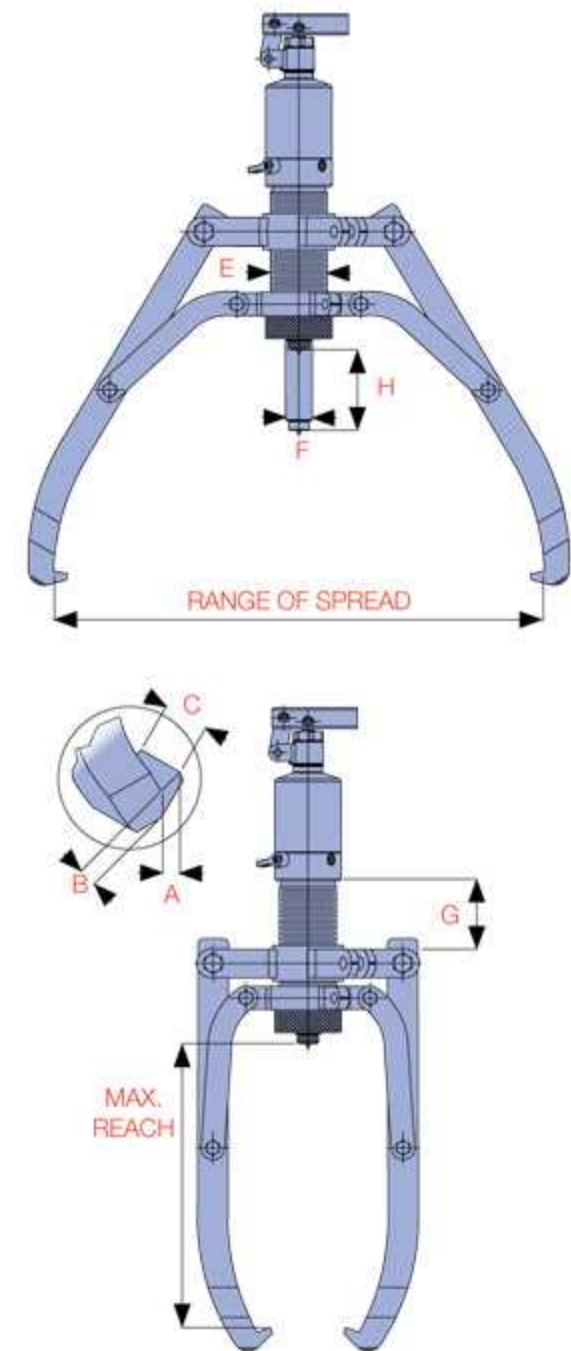


THE **PR & PS-SERIES** PULLERS ARE A CONVERTIBLE 2 OR 3 WAY UNIT FOR A ONE PERSON OPERATION.

Available in remote and self-contained versions from 4-30 ton capacity. The PS-Series 3 in 1 puller is a double acting unit designed for pushing, outer pulling and inner pulling.



Model No.	Puller Type	Capacity (ton)	Max. Reach (mm)	Range of Spread (mm)	Extension Rods 58 mm - Qty	Jaw Tip (mm)			Hydraulic Cylinder (mm)			Stroke (mm)	Weight (kg)
						A	B	C	E	F	G		
PS-04S	Self-contained	4	190	67.5 - 325	2	13	10	22	42	22	40	60	8
PR-04	Remote		190	67.5 - 325	2	13	10	22	42	22	40	60	6
PS-08S	Self-contained	8	280	107.0 - 450	3	13	13	27.5	50	25	70	85	12
PR-08	Remote		280	107.0 - 450	3	13	13	27.5	50	25	70	85	9
PS-12S	Self-contained	12	305	94.5 - 485	4	15	16.5	29	60	28	70	85	15
PR-12	Remote		305	94.5 - 485	4	15	16.5	29	60	28	70	85	12
PS-20S	Self-contained	20	365	128.4 - 570	-	20	27	33	80	40	62	111	26
PR-20	Remote		365	128.4 - 570	-	20	27	33	80	40	62	111	24
PS-30S	Self-contained	30	465	128.5 - 680	-	20	27	38	98	50	85	111	36
PR-30	Remote		465	128.5 - 680	-	20	27	38	98	50	85	111	34

SELF-CONTAINED HAND PUMP

rotates 360°

DOUBLE ACTING CYLINDER

allows for pushing/outer pulling and inner pulling

VARIABLE HEIGHT

extension legs

3 JAW STRUCTURE

provides even force

STEEL CARRY CASE

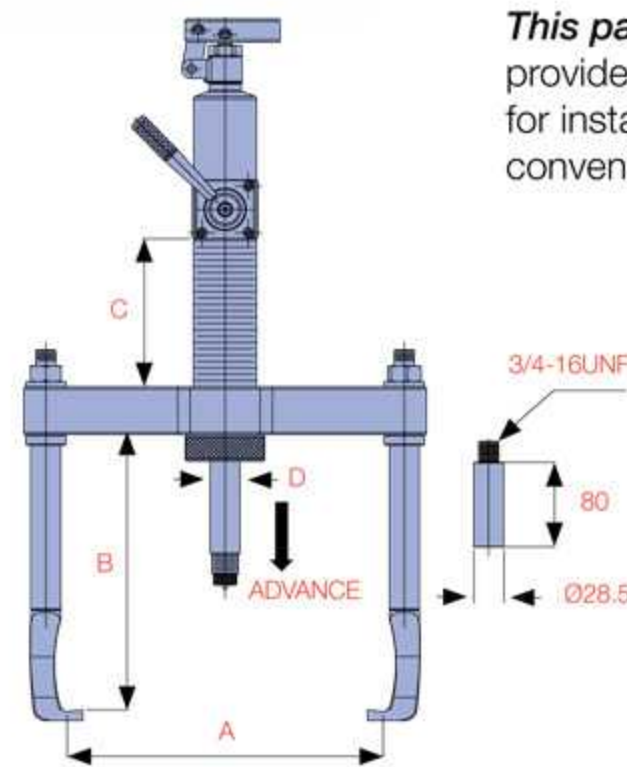
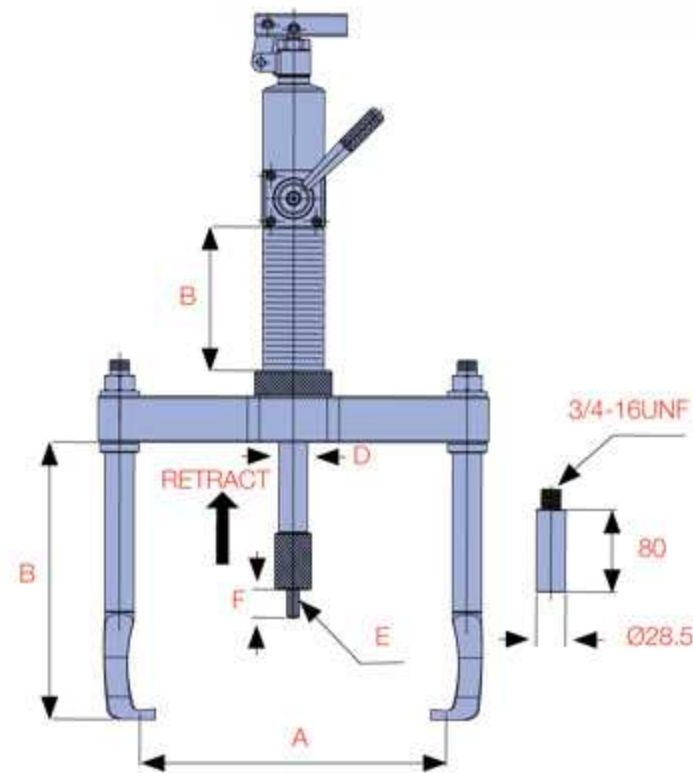
included

INTERNAL PULLER

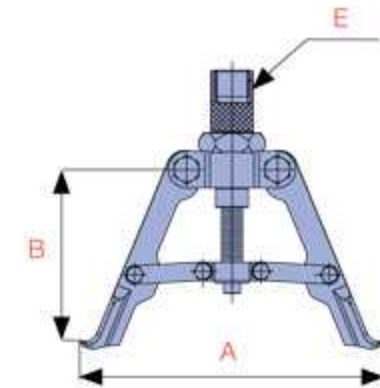
allows removal of oil seals, bushings and bearings



CAPACITY
4 - 30 ton
MAXIMUM OPERATING PRESSURE
700 bar



This patented double acting design provides the operator with a 3 in 1 tool for installing, outer and inner pulling with convenience and safety.



FOR OUTER PULLING



FOR OUTER/INNER INSTALLING



INNER PULLING ATTACHMENT

Model No.	Puller Type	Capacity (ton)	A (mm)	B (mm)	C (mm)	D (mm)	E	F (mm)	Weight (kg)
PS-1208D	Installing	8	44-280	270 + 80	140	28	M12 x 1.75	30	19.5
	Outer Pulling	12	85-300	260 + 80	140	28	-	-	
	Inner Pulling	8	110-210	130 - 150	-	-	1"-12UNF	-	